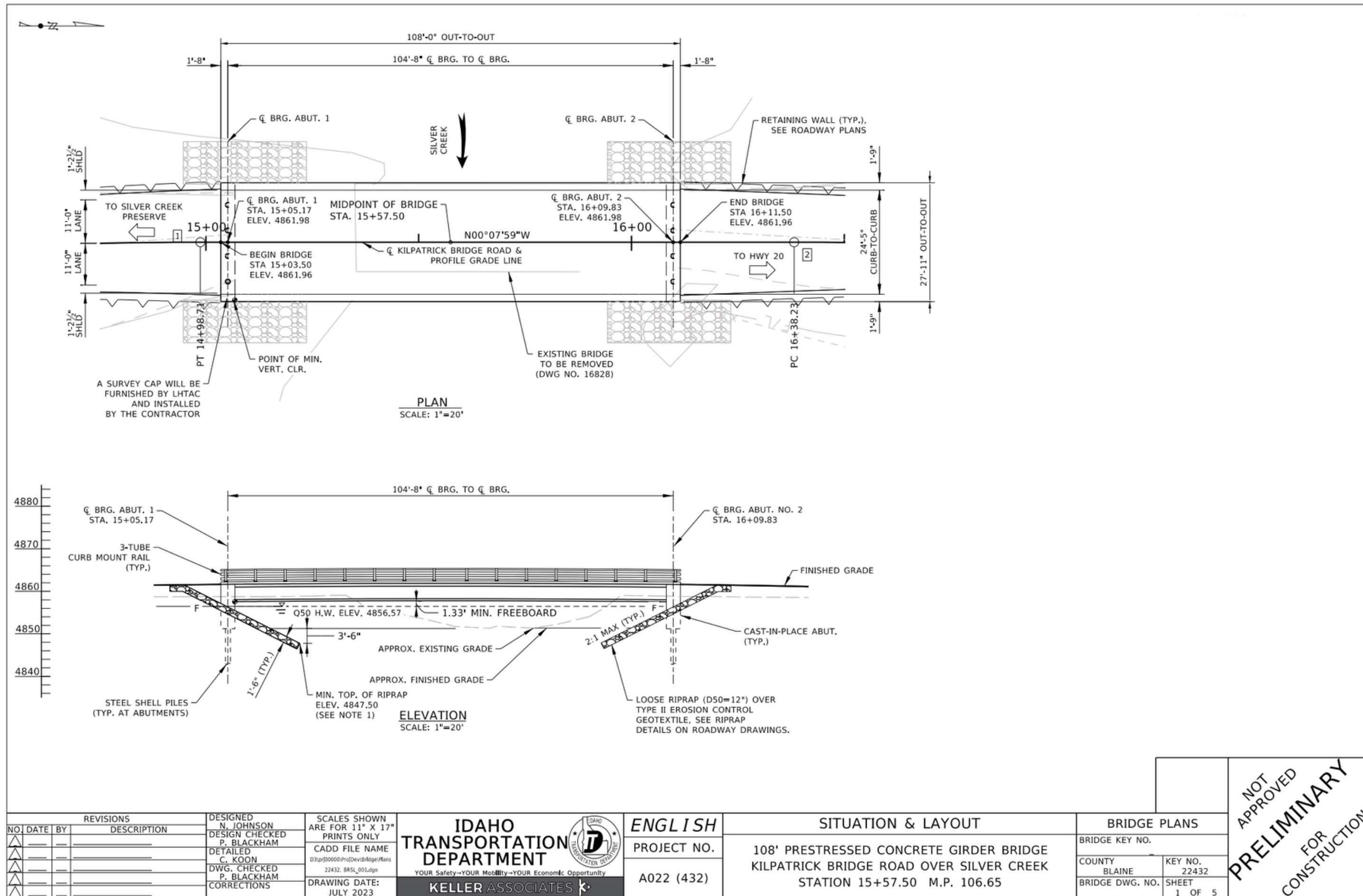


# Project Design

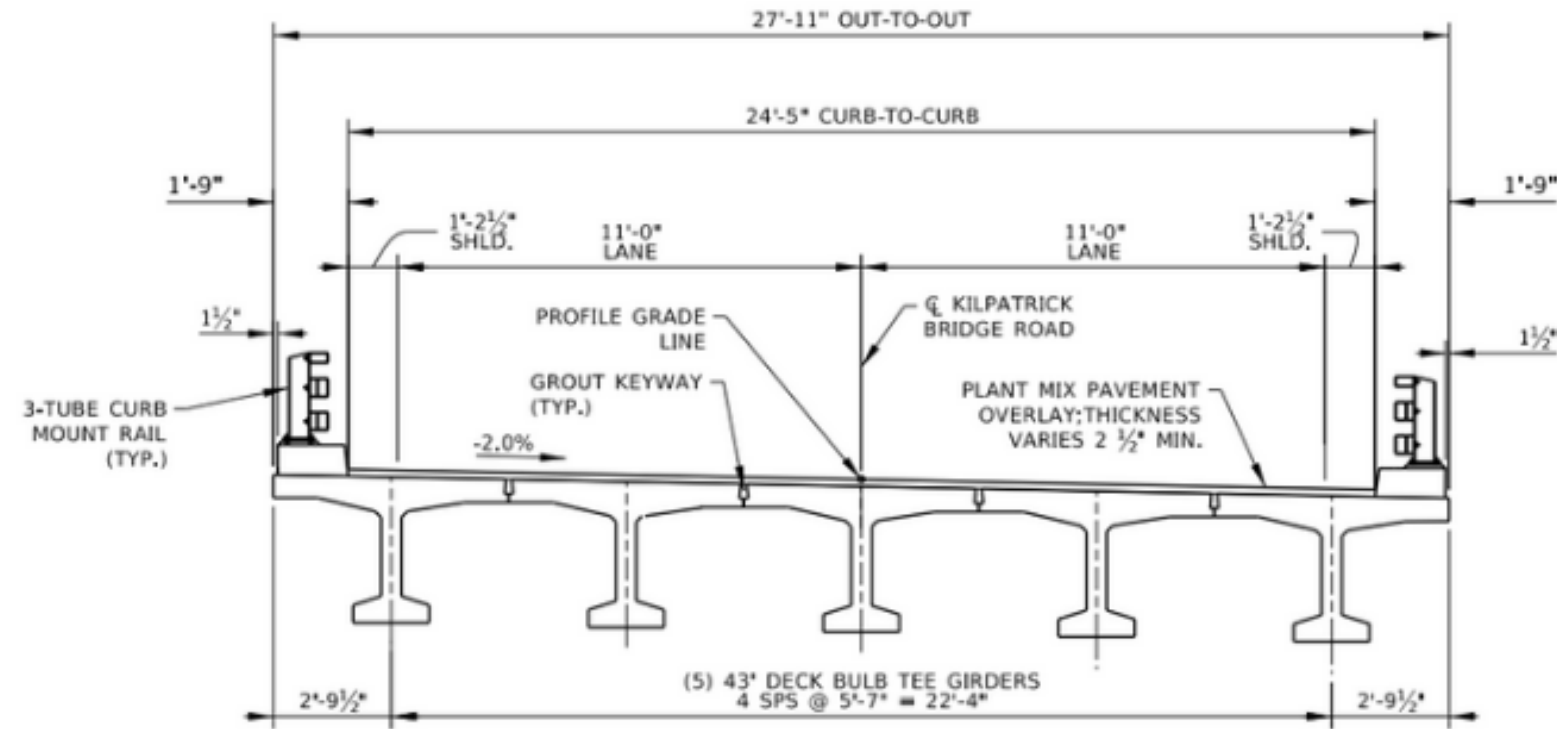
The photos below will be similar to the Kilpatrick Bridge replacement aesthetics.




# Project Concepts



# Project Concepts

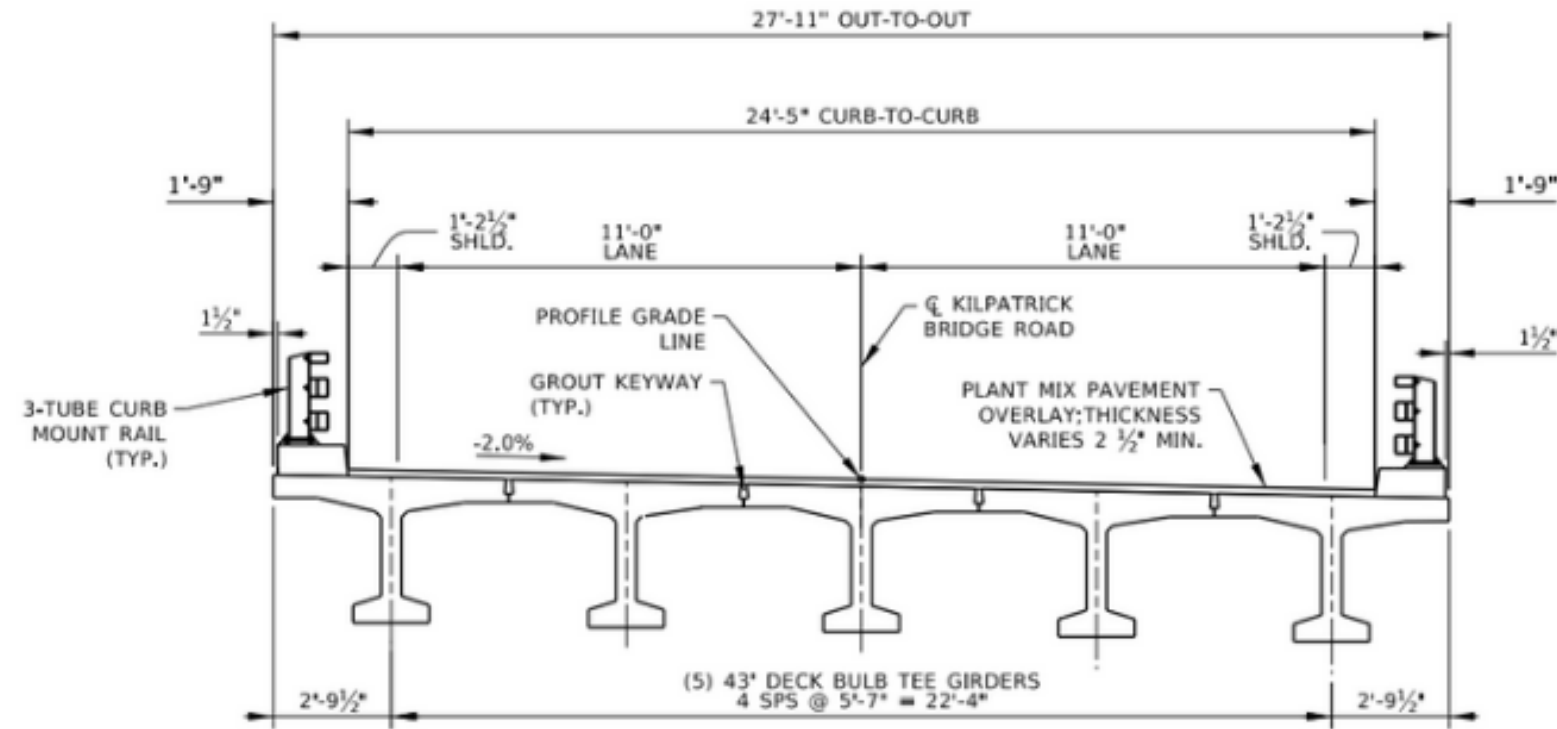


**TYPICAL SECTION**  
SCALE: 1" = 5'  
(LOOKING AHEAD ON STATIONING)

REVISIONS			DESIGNED	SCALES SHOWN	 <b>IDAHO</b> <b>TRANSPORTATION</b> <b>DEPARTMENT</b> <small>YOUR Safety—YOUR Mobility—YOUR Economic Opportunity</small>	ENGLISH	<b>BRIDGE TYPICAL SECTION</b>  108' PRESTRESSED CONCRETE GIRDER BRIDGE KILPATRICK BRIDGE ROAD OVER SILVER CREEK STATION 15+57.50 M.P. 106.65	BRIDGE PLANS	
NO.	DATE	BY	DESCRIPTION	ARE FOR 11" X 17" PRINTS ONLY		PROJECT NO.		BRIDGE KEY NO.	COUNTY
△						A022 (432)		BLAINE	22432
△								BRIDGE DWG. NO.	SHEET
△									5 OF 5

NOT APPROVED  
**PRELIMINARY**  
 FOR CONSTRUCTION

# Project Concepts

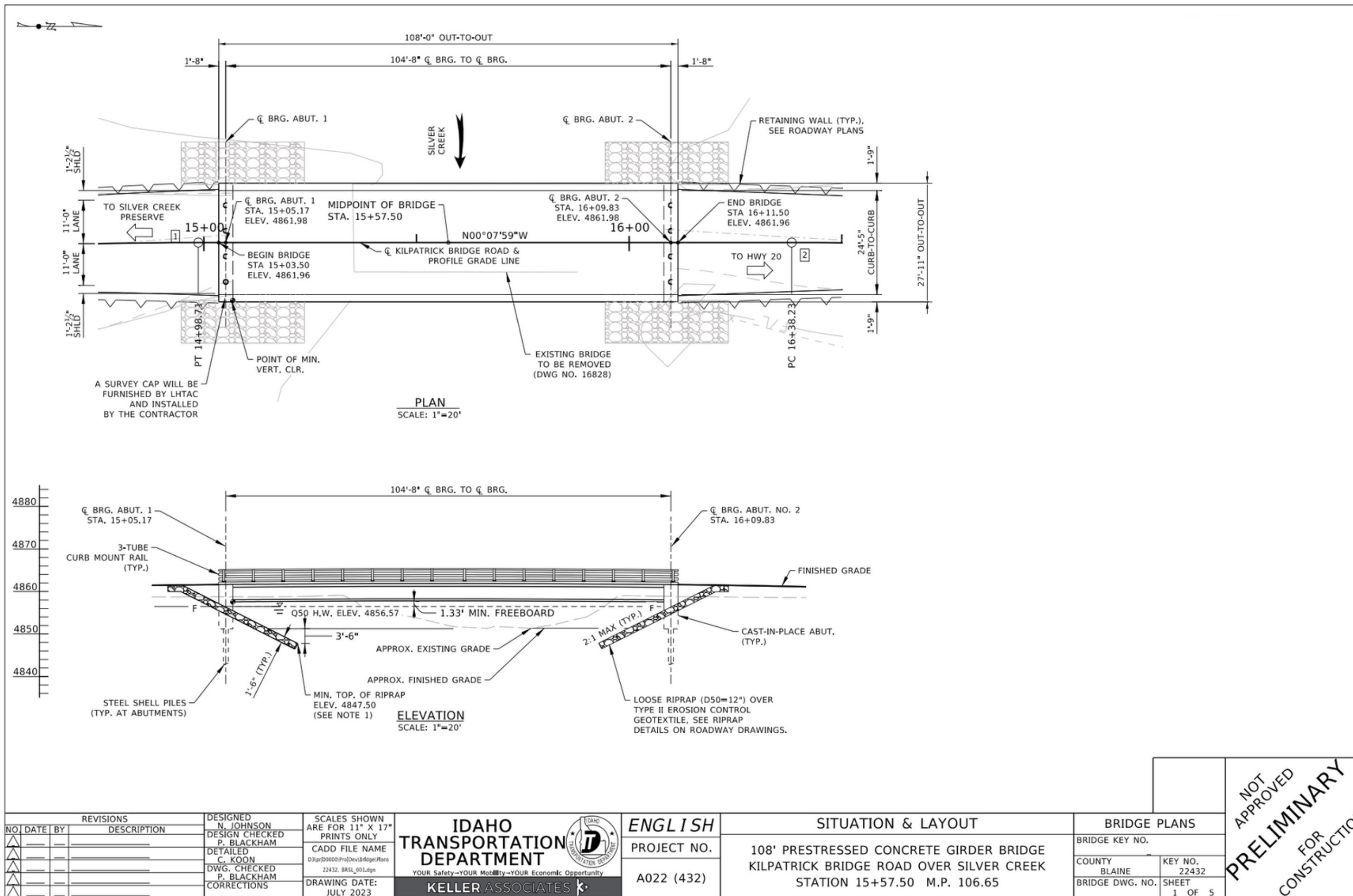


**TYPICAL SECTION**  
SCALE: 1" = 5'  
(LOOKING AHEAD ON STATIONING)

REVISIONS			DESIGNED	SCALES SHOWN	IDaho TRANSPORTATION DEPARTMENT	ENGLISH	BRIDGE TYPICAL SECTION	BRIDGE PLANS	
NO.	DATE	BY	N. JOHNSON	ARE FOR 11" X 17"				BRIDGE KEY NO.	COUNTY
△			DESIGN CHECKED P. BLACKHAM	PRINTS ONLY	 <b>KELLER ASSOCIATES</b>	PROJECT NO. A022 (432)	108' PRESTRESSED CONCRETE GIRDER BRIDGE KILPATRICK BRIDGE ROAD OVER SILVER CREEK STATION 15+57.50 M.P. 106.65	BLAINE	22432
△			DETAILED C. KOON	CADD FILE NAME 031prj000000Proj02devBridgePlans				BRIDGE DWG. NO.	SHEET
△			DWG. CHECKED P. BLACKHAM	22432_TSSC_001.dgn					5 OF 5
△			CORRECTIONS	DRAWING DATE: JULY 2023					
△									

NOT  
APPROVED  
**PRELIMINARY**  
FOR  
CONSTRUCTION

# Project Concepts



NO.	DATE	BY	REVISIONS DESCRIPTION
▲			
▲			
▲			
▲			
▲			

DESIGNED N. JOHNSON	SCALES SHOWN ARE FOR 11" X 17" PRINTS ONLY  CADD FILE NAME D:\proj\00000\proj\Devs\Bridges\Plans 22432_BASL_001.dgn  DRAWING DATE: JULY 2023
DESIGN CHECKED P. BLACKHAM	
DETAILED C. KOON	
DWG. CHECKED P. BLACKHAM	
CORRECTIONS	

**IDAHO**  
**TRANSPORTATION**  
**DEPARTMENT**  
 YOUR Safety—YOUR Mobility—YOUR Economic Opportunity

KELLER ASSOCIATES

**ENGLISH**  
 PROJECT NO.  
 A022 (432)

**SITUATION & LAYOUT**  
 108' PRESTRESSED CONCRETE GIRDER BRIDGE  
 KILPATRICK BRIDGE ROAD OVER SILVER CREEK  
 STATION 15+57.50 M.P. 106.65

BRIDGE PLANS	
BRIDGE KEY NO.	
COUNTY BLAINE	KEY NO. 22432
BRIDGE DWG. NO.	SHEET 1 OF 5

NOT  
 APPROVED  
**PRELIMINARY**  
 FOR  
 CONSTRUCTION